

The CTSG Sight Glasses unique construction provides full 360° process viewing. Manufactured from heavy wall borosilicate glass tube and PFA / PTFE lined flanges for use in the most demanding corrosive and toxic applications.

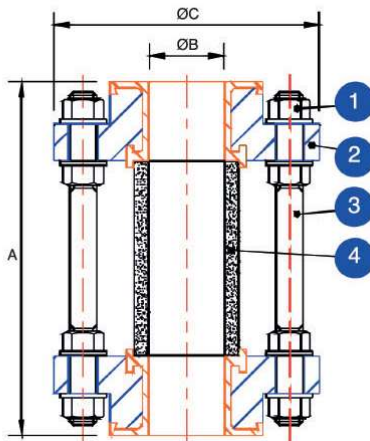


Product Features

- Heat treated heavy wall borosilicate glass for managing high line pressures
- Parallel full port flow path prevents liquid retention or bug traps
- Stainless steel tie rods provide protection against side loads and mechanical damage
- Proven design offering safety and security

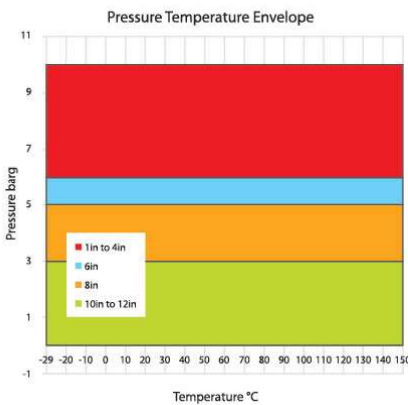
Materials Specification

| Item | Qty | Description | Materials | Specification |
|------|----------|--------------------------------------|-----------------------------------|--|
| 1 | 16/32/48 | Nuts / Washers | Stainless Steel | ASTM F594 Gr. 304 |
| 2 | 2 | Flange [1 to 6] [DN25 to DN150] | Carbon Steel PFA | BS 1501-161-430A ASTM D3307 |
| | | Flange [8 to 12] [DN200 to DN300] | Carbon Steel | BS 1501-161-430A ASTM D1457 Type II |
| 3 | 4/8/12 | Tie Rods | Stainless Steel | BS970 Pt.1 Gr.303S42 |
| 4 | 1 | Glass Tube Paint Finish | Glass 3.3 125µ Blue Semi-Gloss | ISO 3585 Epoxy |



Dimensions

| To Suit Pipework | Face to Face | Bore | Flange Diameter | Weight | Glass | | |
|-------------------------------|--------------|----------|-----------------|----------|-------|-------|---------|
| ASME 150 Piping Systems | | | | | | | |
| Inches | mm | Dim A mm | Dim B mm | Dim C mm | Kg | od mm | Wall mm |
| 1 | 25 | 152 | 20 | 108 | 3.5 | 30 | 4.5 |
| 1½ | 40 | 178 | 36 | 127 | 4.9 | 50 | 7.0 |
| 2 | 50 | 203 | 42 | 152 | 7.0 | 60 | 9.0 |
| 3 | 80 | 241 | 72 | 190 | 11.5 | 90 | 9.0 |
| 4 | 100 | 292 | 103 | 229 | 17.2 | 120 | 9.0 |
| 6 | 150 | 356 | 152 | 279 | 25.7 | 170 | 9.0 |
| 8 | 200 | 300 | 197 | 343 | | 215 | 9.0 |
| 10 | 250 | 300 | 282 | 406 | | 300 | 9.0 |
| 12 | 300 | 300 | 307 | 483 | | 325 | 9.0 |
| DIN PN 10 / 16 Piping Systems | | | | | | | |
| Inches | mm | Dim A mm | Dim B mm | Dim C mm | Kg | od mm | Wall mm |
| 1 | 25 | 160 | 20 | 115 | 3.8 | 30 | 4.5 |
| 1½ | 40 | 200 | 36 | 150 | 5.5 | 50 | 7.0 |
| 2 | 50 | 230 | 42 | 165 | 8.3 | 60 | 9.0 |
| 3 | 80 | 310 | 72 | 200 | 12.0 | 90 | 9.0 |
| 4 | 100 | 350 | 103 | 220 | 18.5 | 120 | 9.0 |
| 6 | 150 | 480 | 152 | 285 | 29.3 | 170 | 9.0 |
| 8 | 200 | 300 | 197 | 340 | | 215 | 9.0 |
| 10 | 250 | 300 | 282 | 395 | | 300 | 9.0 |
| 12 | 300 | 300 | 307 | 445 | | 325 | 9.0 |



Options

| Component | Description |
|-----------|---|
| Flanges | PFA lined and unlined stainless steel, or carbon steel, hygienic end connec ons - tri-clamp, RJT, SMS, DIN etc. |
| Shield | Perspex safety shield |
| Glass | Internally lined with FEP for caustic processes |
| Body | Flow disturbers and indicators, back lighting |